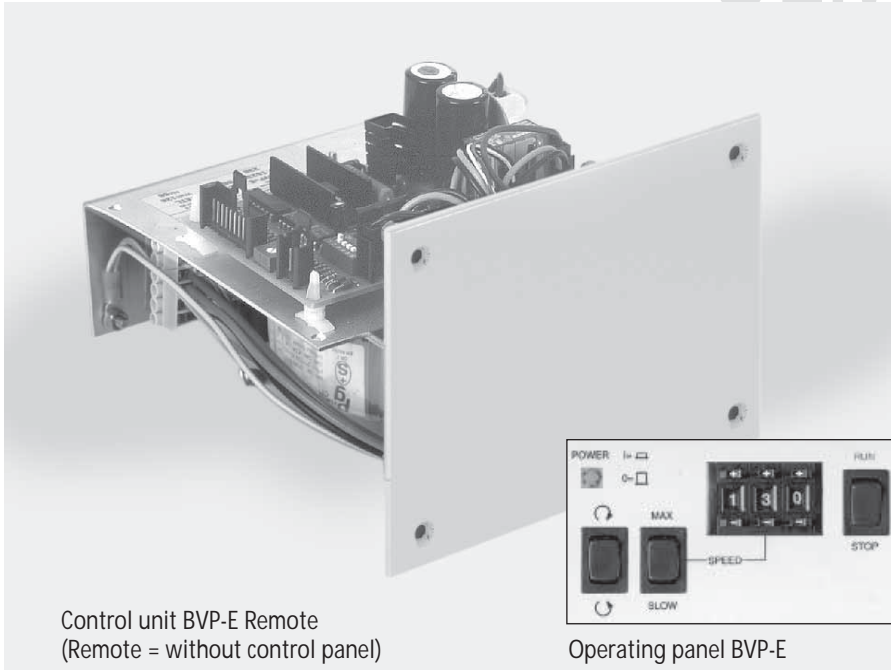


# Control unit BVP-E / -Remote

for DC motor with encoder

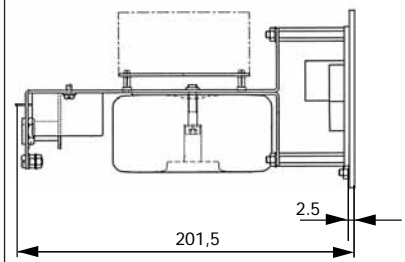
OEM



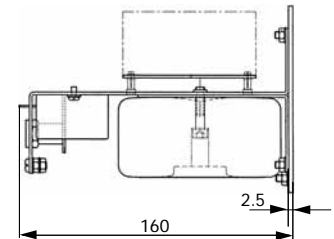
Control unit BVP-E Remote  
(Remote = without control panel)

Operating panel BVP-E

Side view (mm)

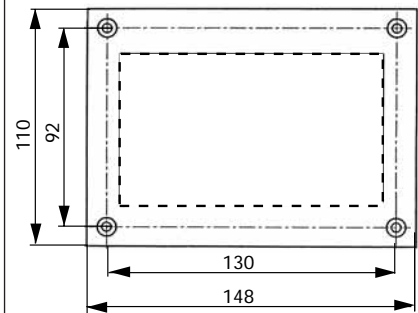


BVP-E

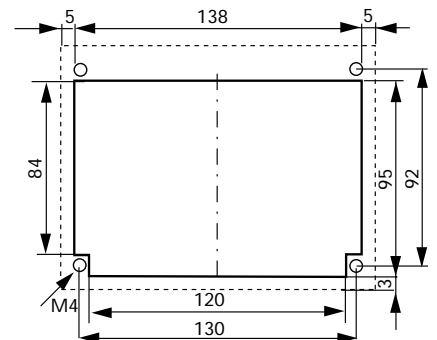


BVP-E Remote  
with same front panel but without control panel

Front view (mm)



Mounting cut-out (mm)



**IMPORTANT**

**Active cooling system**  
Adequate ventilation (active cooling) must be provided depending on the installation conditions and the operating time.

The buyer and user himself is responsible for sufficient ventilation of ISMATEC® panel-mounted pumps.

## Technical specifications

Mains connection	230 V / 50/60 Hz or 115 V / 50/60 Hz (please indicate on your order)
Power consumption	max. 110 W
Weight	2.3 kg

## Interfaces

■ Analog input	
Speed control	0-5 V or 0-10 V, 0-20 mA or 4-20 mA
■ Analog output	
Speed output	0-10 V <sub>dc</sub> or 0-12 kHz
■ Digital input (TTL-level)	
Start/Stop, rotation direction	

## Operating panel

- Run/Stop switch
- Switch for rotation direction
- Switch for MAX/SLOW
- 3-digit potentiometer for digital speed setting in 0.1%-steps

## Ordering information

Data sheet	Model	BVP-E	BVP-E Remote
	BVP-E	IS 2366A	IS 2691A
Included with delivery: data sheet for installation and electrical connections			

08.3  
30.09.05