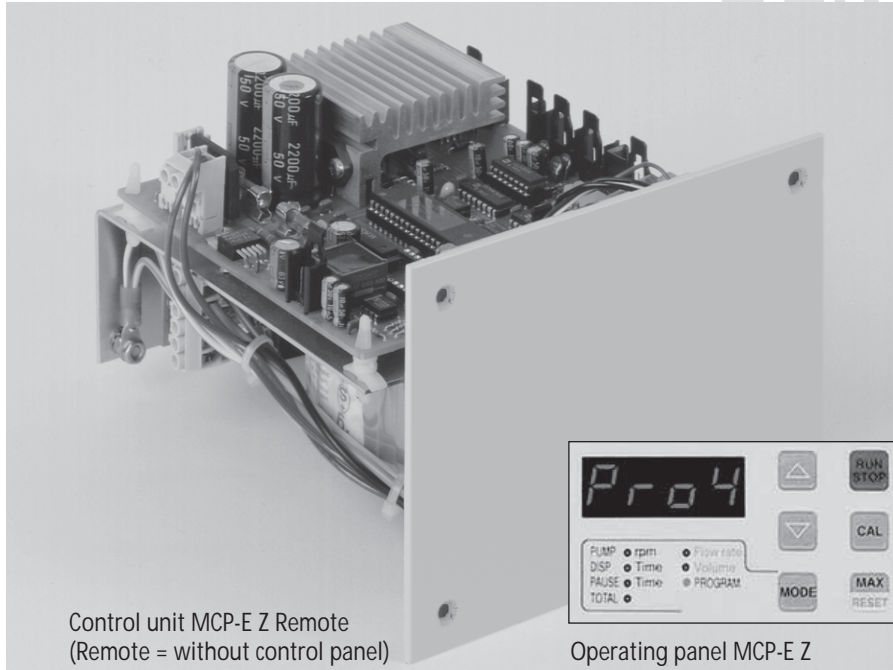


# Control unit MCP-E Z / -Remote

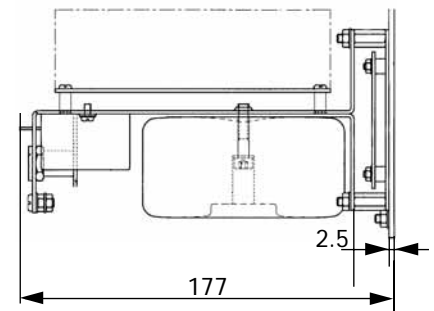
for DC motor with encoder Ecoline-E



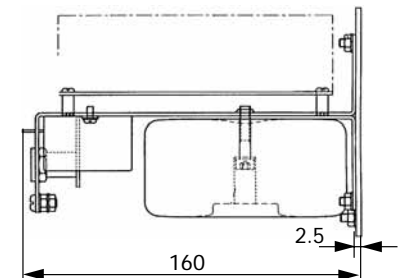
Control unit MCP-E Z Remote  
(Remote = without control panel)

Operating panel MCP-E Z

Side view (mm)

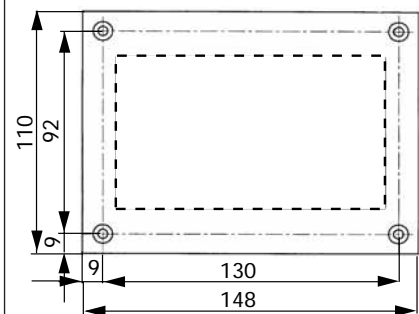


MCP-E Z

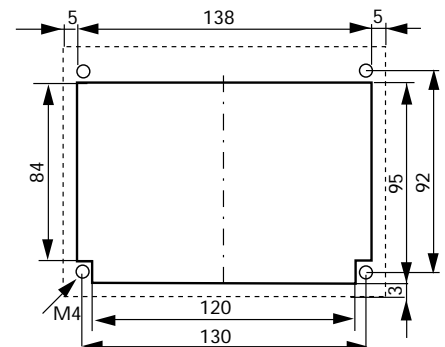


MCP-E Z Remote  
with same front panel but without control panel

Front view (mm)



Mounting cut-out (mm)



## ⚠ IMPORTANT

### Active cooling system

Adequate ventilation (active cooling) must be provided depending on the installation conditions and the operating time.

The buyer and user himself is responsible for sufficient ventilation of ISMATEC® panel-mounted pumps.

## Technical specifications

Mains connection	230 V / 50 Hz or 115 V / 60 Hz (please indicate on your order)
Power consumption	max. 150 W
Weight	2.3 kg

## Interfaces

- RS232 in  
for operation controlling via PC
- RS232 out  
for cascading up to 8 control units
- Analog input (Speed control)  
0–5 or 0–10 V, 0–20 or 4–20 mA
- Analog output (Speed output)  
0–10 V<sub>DC</sub> or 0–12 kHz
- Digital input  
start/stop, autostart

## Operating panel

- LED display
- Membrane key-pad (6 keys) for:  
Run/Stop, Up and Down (value setting),  
calibration, operating mode (MODE key),  
MAX/MIN Reset
- Memory:  
4 sets of operating parameters can be stored
- Selectable operating modes:
  - Pumping by speed (rpm)
  - Pumping by flow rate (ml/min)
  - Dispensing by volume (ml)
  - Dispensing by time (0.1s to 999h)
  - Intermittent dispensing  
(repetitive dispensing by volume or time  
with pre-set pause time)
  - Pause time setting (from 0.1s to 999h)
  - Number of dispensing cycles
- Calibration functions:
  - Flow rate (ml/min)
  - Dispensing volume (ml)

## Ordering information

Model	MCP-E Z	MCP-E Z Remote
	IS 2365	IS 2363
Included with delivery: data sheet for installation and electrical connections		