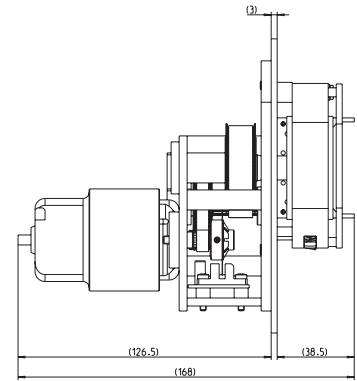


# DC motor with optical encoder and gear box

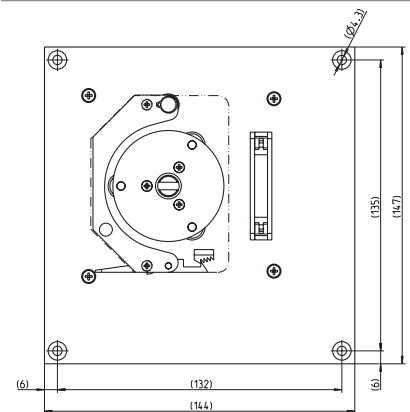
OEM



Side view (mm)



Front view (mm)



Mounting cut-out (mm)

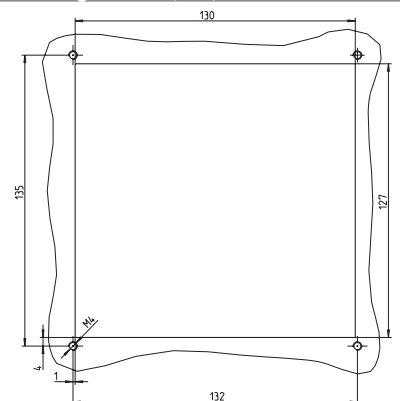
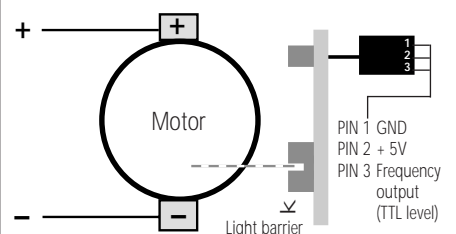


Diagram and electrical connections



Technical specifications	
Pump model	Ecoline-E VC-360
Motor type	DC motor with encoder
Gear ratio	16:1
Rotation speed*	3.5–350 rpm
Flow rates*	0.25–1300 ml/min
Motor control*	optional control unit
Power consumption	max. 67 W
Optical encoder	120 impulses/motor rev.
Channels	1
Pump rollers	3
Weight	1.0 kg
Tubing type	Standard tubing
Tubing i.d.	0.8–6.4 mm

Flow rates <sup>1)</sup>		
Tubing i.d. mm	Wall thickness mm	ml per revolution
0.8	1.6	0.0719
1.6	1.6	0.256
3.2	1.6	0.997
4.8	1.6	2.20
6.4	1.6	3.65

<sup>1)</sup> Water, Tygon® tubing, without differential pressure

k Calculation example for flow rate  
 rpm x ml per revolution = ml/min  
 350 x 3.65 = 1277.5

Ask for the ISMATEC® Pump Tubing Selection Guide.

## Ordering information

Nominal voltage	Type Ecoline-E VC-360	Order No.
24 V <sub>DC</sub>		IS 3743A

Data sheet

03.02.1

30.09.05

\* Please note  
 Specifications valid for following ISMATEC® control unit:  
 Ecoline-E - see data sheet 08.4