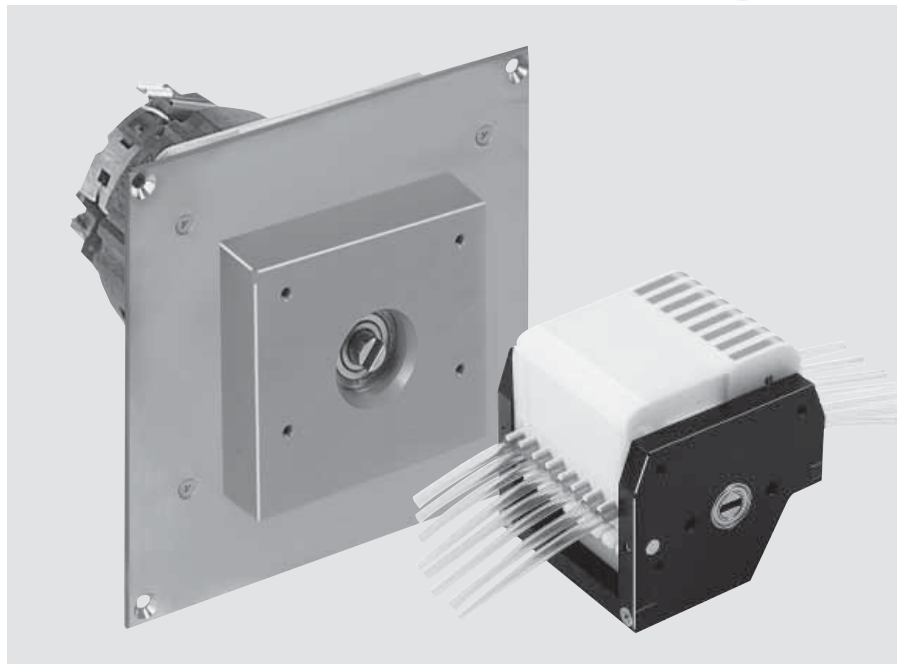
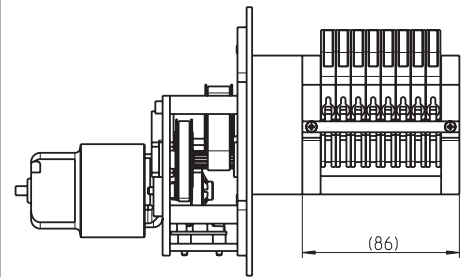


DC motor with optical encoder and gear box

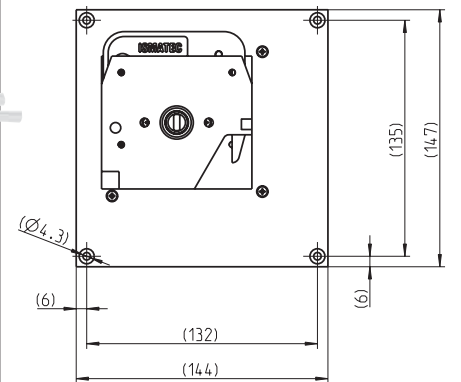
OEM



Side view (mm)



Front view (mm)



Mounting cut-out (mm)

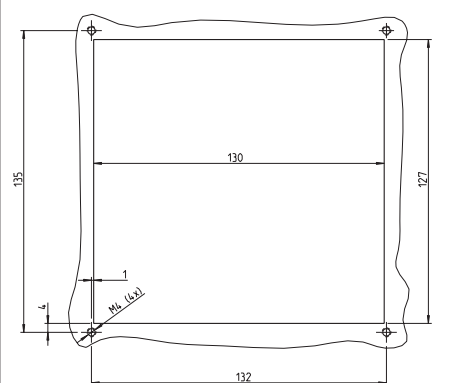
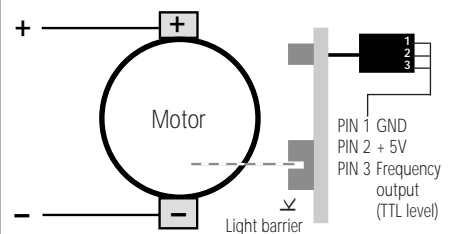


Diagram and electrical connections



Technical specifications	
Pump model	Ecoline-E VC-MS/CA8-8
Motor type	DC motor with encoder
Gear ratio	16:1
Rotation speed*	3.5–350 rpm
Flow rates*	0.004–122 ml/min
Motor control*	optional control unit
Power consumption	max. 67 W
Optical encoder	120 impulses/motor rev.
Channels	8
Pump rollers	8
Weight	1.7 kg
Tubing type	3-stop collared tubing
Tubing i.d.	0.13–3.17 mm
Cassettes	MS/CA Click'n'go, POM
*See 'Please note'	
Cassettes (Spare part / Option)	
IS 3510	MS/CA Click'n'go, POM-C ²⁾
IS 0649	MS/CA Pressure lever, POM-C
IS 3629	MS/CA Pressure lever, PVDF
²⁾ Standard equipment	
k Please see data sheet 09.1	

Flow rates ¹⁾			
Tubing i.d. mm	ml per revolution	Tubing i.d. mm	ml per revolution
0.13	0.0011	1.14	0.078
0.19	0.0023	1.22	0.088
0.25	0.0041	1.30	0.098
0.38	0.0094	1.42	0.11
0.44	0.013	1.52	0.13
0.51	0.017	1.65	0.15
0.57	0.021	1.75	0.16
0.64	0.026	1.85	0.17
0.76	0.036	2.06	0.20
0.89	0.049	2.29	0.24
0.95	0.056	2.54	0.27
1.02	0.063	2.79	0.31
1.09	0.072	3.17	0.35

¹⁾ Water, Tygon® tubing, without differential pressure

k Calculation example for flow rate
 rpm x ml per revolution = ml/min
 350 x 0.35 = 122.5

Ask for the ISMATEC® Pump Tubing Selection Guide

Ordering information

Nominal voltage	Type Ecoline-E VC-MS/CA8-8	Order No.
24 V _{DC}		on request

* Please note
 Specifications valid for following ISMATEC® control unit:
 Ecoline-E - see data sheet 08.4

Data sheet

03.02.6

30.09.05