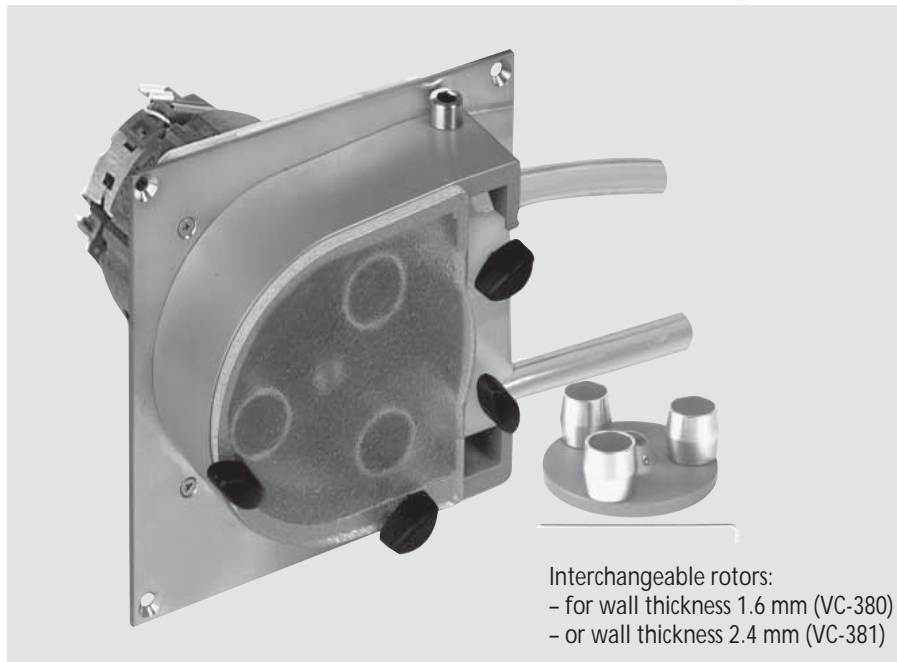
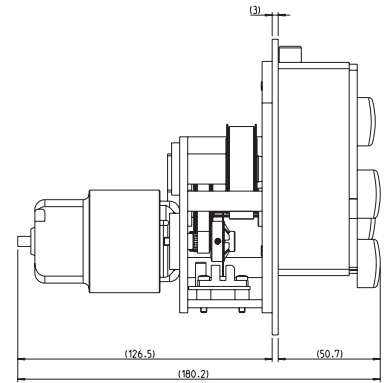


DC motor with optical encoder and gear box

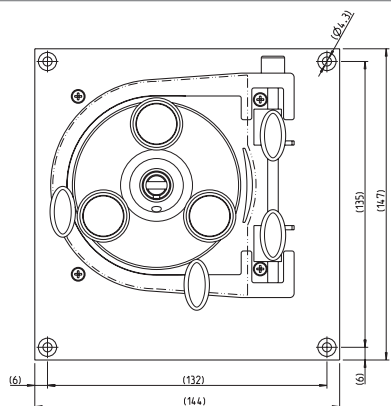
OEM



Side view (mm)



Front view (mm)



Mounting cut-out (mm)

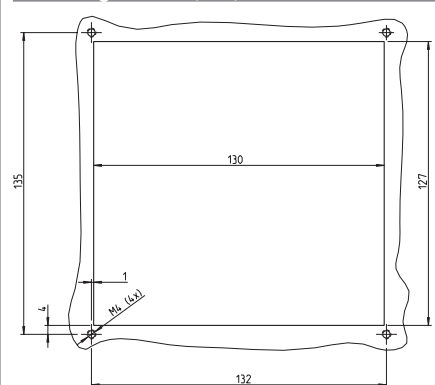
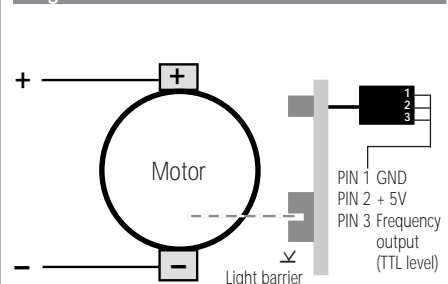


Diagram and electrical connections



 Please note
 Specifications valid for following ISMATEC® control unit:
 Ecoline-E - see data sheet 08.4

Technical specifications	
Pump model	Ecoline-E VC-380/VC-381
Motor type	DC motor with encoder
Nominal voltage	24 V _{DC}
Getriebe	16:1
Rotation speed*	3.5–350 rpm
Flow rates*	1.6–5000 ml/min (VC-380) 11.6–4200 ml/min (VC-381)
Motor control*	optional control unit
Power consumption	max. 67 W
Optical encoder	120 impulses/motor rev.
Channels	1
Pump rollers	3
Weight	1.5 kg
Tubing type	Standard tubing
Tubing i.d.	1.6–11.1 mm (VC-380) 4.8–9.5 mm (VC-381)

Rotors (Spare part / Option)			
Rollen	Farbe	WS	Bestell-Nr.
3	red	1.6 ¹⁾	IS 3763
3	black	2.4 ²⁾	IS 3754

- 1) Standard equipment
- 2) WT 2.4 mm: for elevated differential pressure

Flow rates ³⁾		
Tubing i.d. mm	Wall thickness mm	ml per revolution
1.6	1.6	0.455
3.2	1.6	1.68
4.8	1.6	3.72
6.4	1.6	6.48
8.0	1.6	9.67
9.5	1.6	12.5
11.1	1.6	14.3
4.8	2.4	3.32
6.4	2.4	5.78
8.0	2.4	8.77
9.5	2.4	12.0

³⁾Water, Tygon® tubing, without differential pressure

k Calculation example for flow rate		
rpm		x ml per revolution
on	= ml/min	
350	x 14.3	= 5005 (VC-380)
350	x 12.0	= 4200 (VC-381)

Ask for the ISMATEC® Pump Tubing Selection Guide.

Ordering information

Wall thickness	Type Ecoline-E ...	Order No.
1.6 mm	VC-380	IS 3888A
2.4 mm	VC-381	IS 3889A

Data sheet

03.02.3

30.09.05