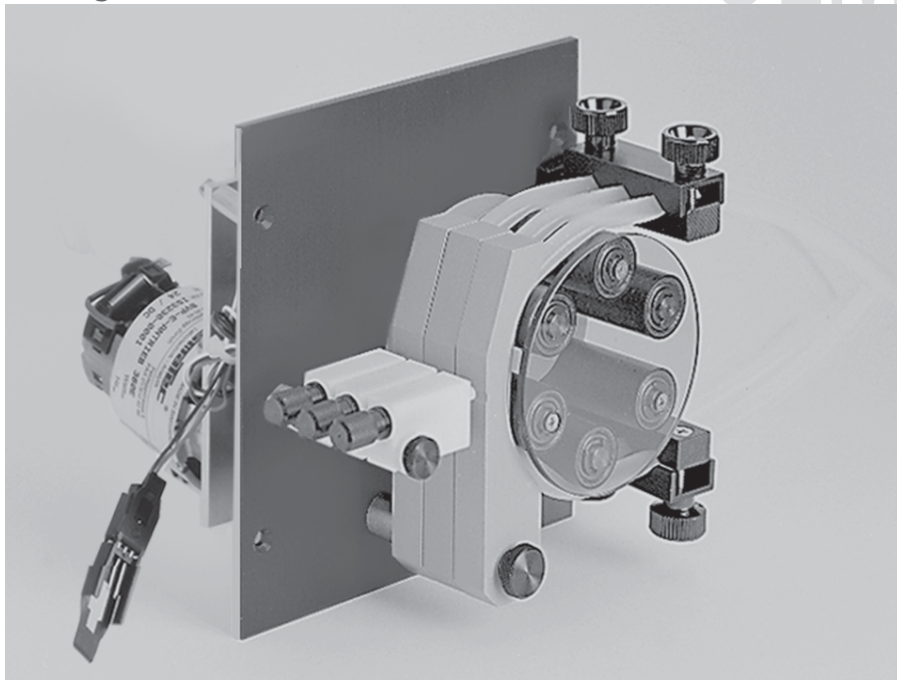
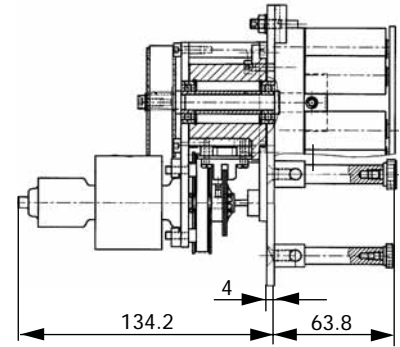


DC motor with optical encoder and gear box

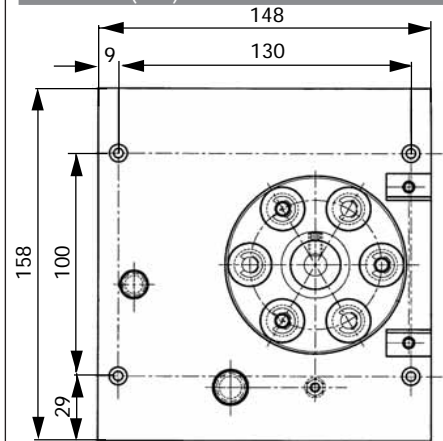
OEM



Side view (mm)



Front view (mm)



Mounting cut-out (mm)

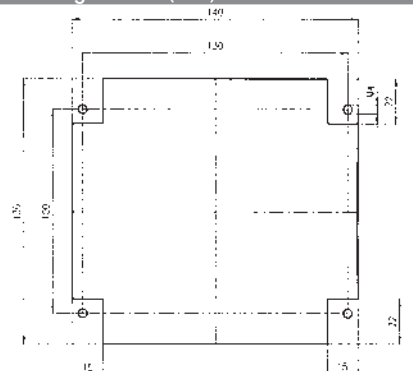
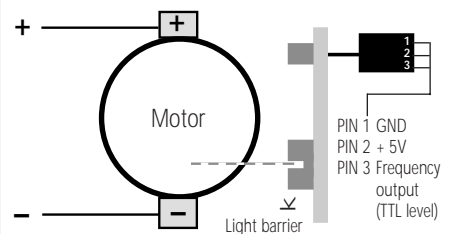


Diagram and electrical connections



*

Please note

Specifications valid for the following ISMATEC® control units:

- a) BVP-E - see data sheet 08.3
- b) MCP-E - see data sheet 08.5

Technical specifications

Pump model	MCP-E SB3V
Motor type	DC motor with encoder
Gear ratio	25:1
Rotation speed*	2.4–240 rpm ^{a)} 1–240 rpm ^{b)}
Flow rates*	0.09–520 ml/min
Motor control*	optional control unit
Power consumption max.	67 W
Optical encoder	120 impulses/motor rev.
Channels	3
Pump rollers	6
Weight	1.5 kg
Tubing type	Standard tubing
Tubing i.d.	0.8–4.8 mm

*See 'Please note'

Flow rates¹⁾

Tubing i.d. mm	Wall thickness mm	ml per revolution
0.8	1.6	0.09
1.6	1.6	0.26
3.2	1.6	0.99
4.8	1.6	2.2

¹⁾ Water, Tygon® tubing, without differential pressure

k Calculation example for flow rate
rpm x ml per revolution = ml/min
240 x 2.2 = 528

Ask for the ISMATEC® Pump Tubing Selection Guide.

Ordering information

Nominal voltage	Type MCP-E SB3V	Order No.
24 V _{DC}		IS 3202/ISM 011

Data sheet

04.4

30.09.05