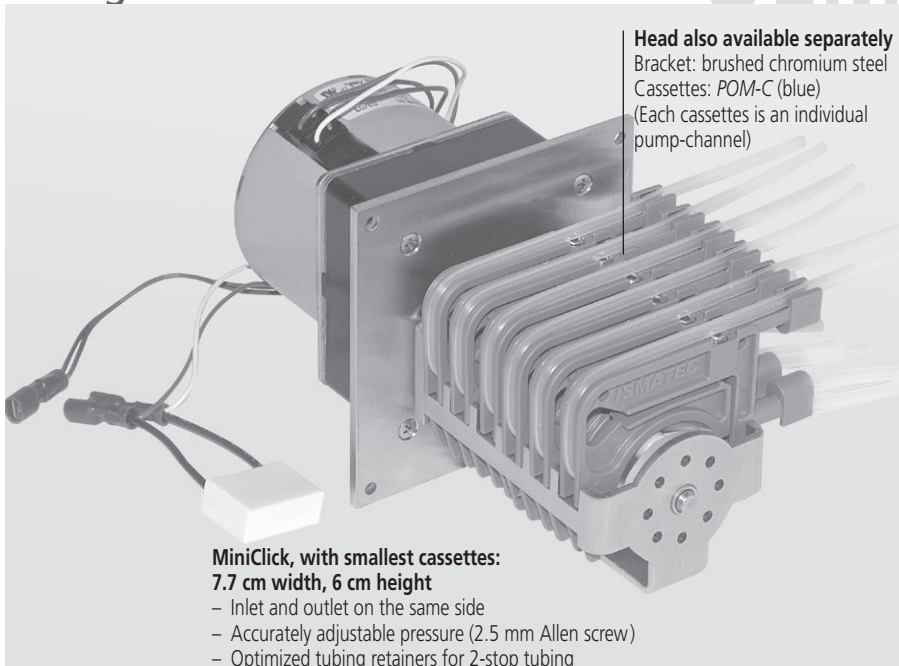
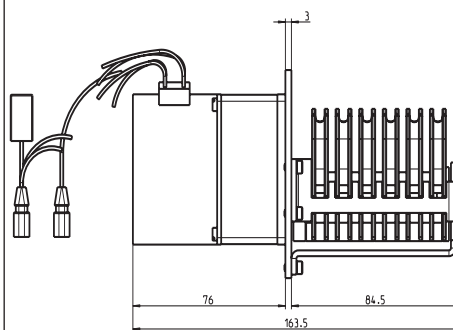


# Synchronous motor with gear box

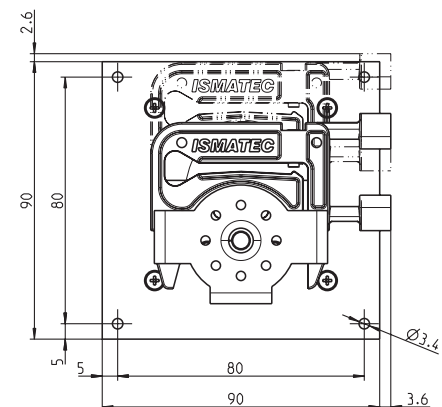
# OEM



Side view (mm)



Front view (mm)



Mounting cut-out (mm)

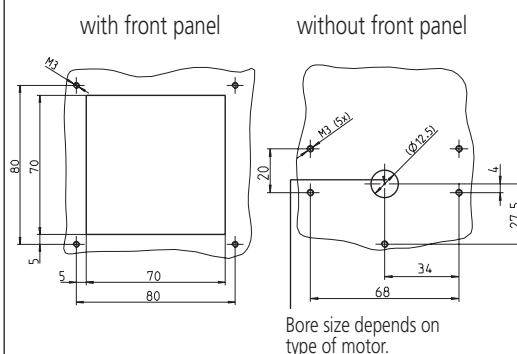
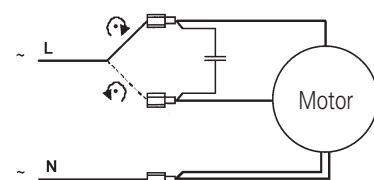


Diagram and electrical connections



The polarity of L and N has no effect on the rotation direction.

## Technical specifications

Pump model	MiniClick6-E/5 Synchro
Motor type	Synchronous motor with reversible rotation
Rotation speed	fixed, available with: 6 8 10 12 20 (rpm)
Flow rates	0.008 – 5.2 ml/min
Power consumption	8 W
Channels	1–6
Pump rollers	5
Weight	1.2 kg
Tubing type	2-stop collared tubing
Tubing i.d.	0.13–2.79 mm
Cassettes	MiniClick POM-C (blue) ONr.: IS 10365 (Spare part)

- ➔ Available also with DC motor with optical encoder and gear box
- Speed: 1 – 100 rpm
- Flow rate: 0.001–26 ml/min
- ➔ Ask for the separate data sheet

## Flow rates<sup>1)</sup>

Tubing i.d. mm	ml per revolution	Tubing i.d. mm	ml per revolution
0.13	0.0013	1.14	0.060
0.19	0.0023	1.22	0.068
0.25	0.0036	1.30	0.077
0.38	0.0076	1.42	0.090
0.44	0.010	1.52	0.10
0.51	0.013	1.65	0.12
0.57	0.016	1.75	0.13
0.64	0.020	1.85	0.14
0.76	0.028	2.06	0.17
0.89	0.038	2.29	0.20
0.95	0.043	2.54	0.23
1.02	0.049	2.79	0.26
1.09	0.056		

<sup>1)</sup> Water, Tygon® tubing, without differential pressure

➔ Calculation example for flow rate  
 rpm x ml per revolution = ml/min  
 20 x 0.26 = 5.2  
 Ask for the Pump Tubing Selection Guide

For highly aggressive solvents:  
 2-stop tubing Tygon® MHLL

## Ordering information

Voltage and frequency	Type MiniClick6-E/5 Synchro				
	Revolutions per minute (rpm)				
	6	8	10	12	20
24 V <sub>AC</sub> /50 Hz					ISM 1130
24 V <sub>AC</sub> /60 Hz					
115 V <sub>AC</sub> /50 Hz*					
115 V <sub>AC</sub> /60 Hz					ISM 1127
230 V <sub>AC</sub> /50 Hz					ISM 1124
230 V <sub>AC</sub> /60 Hz*					
	*on request				

Data sheet

02.0.1  
30.09.05