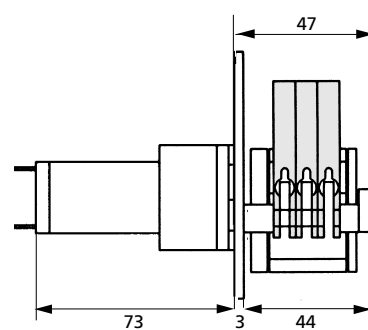


# DC motor with gear box

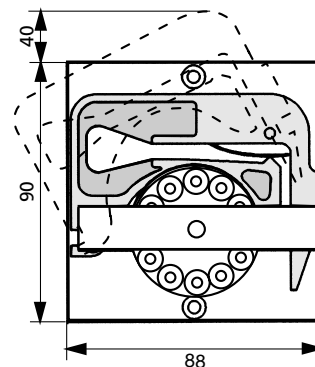
OEM



Side view (mm)



Front view (mm)



Mounting cut-out (mm)

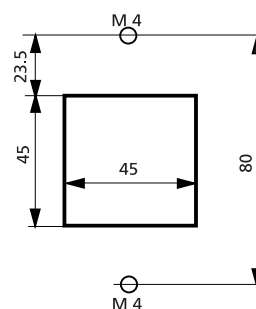
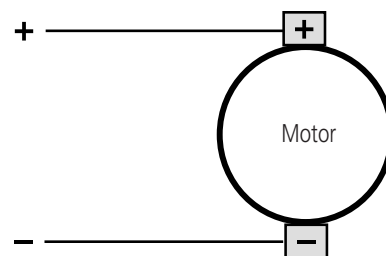


Diagram and electrical connections



Please note

The specifications depend on the **motor control** used by the customer.

### Technical specifications

Pump model	MS/CA3-E/12/DC
Motor type	DC motor
Gear ratio	100:1 60:1
Rotation speed* max.	50 80 rpm
Flow rates* max.	12 19.2 ml/min
Motor control	possible, user-dependent
Power consumption	max. 7 W
Channels	3
Pump rollers	12
Weight	0.470 kg

Tubing type	3-stop collared tubing
Tubing i.d.	0.13–3.17 mm
Cassettes	MS/CA Click'n'go, POM

\*The specifications depend on the **motor control** used by the customer.

Cassettes (Spare part / Option)  
 IS 3510 MS/CA Click'n'go, **POM-C**<sup>2)</sup>  
 IS 0649 MS/CA Pressure lever, **POM-C**  
 IS 3629 MS/CA Pressure lever, **PVDF**  
<sup>2)</sup> Standard equipment  
 → Please see data sheet 09.1

### Flow rates<sup>1)</sup>

Tubing i.d. mm	ml per revolution	Tubing i.d. mm	ml per revolution
0.13	0.00093	1.14	0.067
0.19	0.0021	1.22	0.075
0.25	0.0038	1.30	0.083
0.38	0.0088	1.42	0.094
0.44	0.012	1.52	0.10
0.51	0.016	1.65	0.12
0.57	0.019	1.75	0.13
0.64	0.024	1.85	0.13
0.76	0.033	2.06	0.15
0.89	0.044	2.29	0.17
0.95	0.050	2.54	0.19
1.02	0.056	2.79	0.21
1.09	0.063	3.17	0.24

<sup>1)</sup> Water, Tygon® tubing, without differential pressure

→ Calculation example for flow rate  
 rpm x ml per revolution = ml/min  
 80 x 0.24 = 19.2

Ask for the ISMATEC® Pump Tubing Selection Guide.

### Ordering information

Data sheet 02.2.9 30.09.05	Nominal voltage	Type MS/CA3-E/12/DC/ . . .	100:1	60:1
		revolutions per minute (rpm) max.	50	80
	12 V <sub>DC</sub>		ISM 624	3EB 208
	24 V <sub>DC</sub>		3EB 207	3EB 209