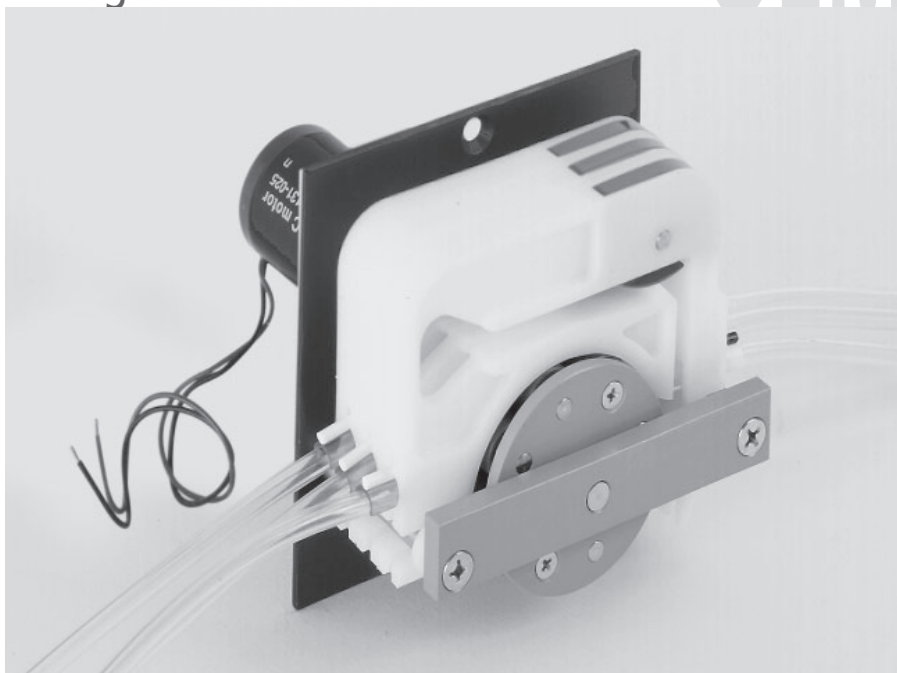
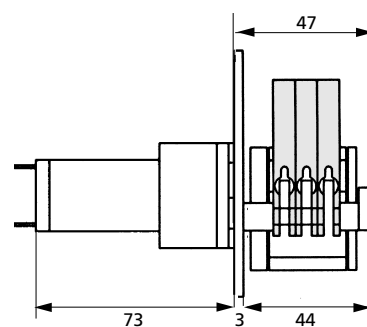


DC motor with gear box

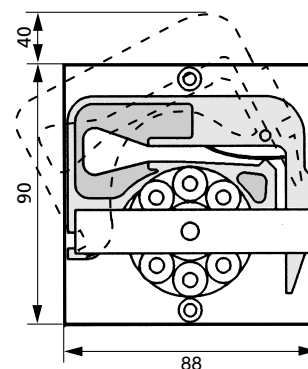
OEM



Side view (mm)



Front view (mm)



Mounting cut-out (mm)

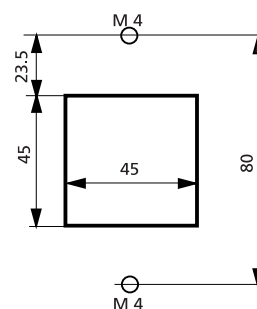
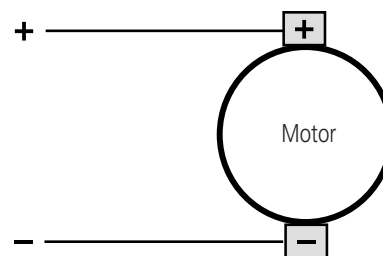


Diagram and electrical connections



Please note

The specifications depend on the **motor control** used by the customer.

Technical specifications

Pump model	MS/CA3-E/08/DC	
Motor type	DC motor	
Gear ratio	100:1	60:1
Rotation speed* max.	50	80 rpm
Flow rates* max.	17.5	28 ml/min
Motor control	possible, user-dependent	
Power consumption	max. 7 W	
Channels	3	
Pump rollers	8	
Weight	0.470 kg	

Tubing type	3-stop collared tubing	
Tubing i.d.	0.13–3.17 mm	
Cassettes	MS/CA Click'n'go, POM	

*The specifications depend on the **motor control** used by the customer.

Cassettes (Spare part / Option)

- IS 3510 MS/CA Click'n'go, **POM-C** ²⁾
- IS 0649 MS/CA Pressure lever, **POM-C**
- IS 3629 MS/CA Pressure lever, **PVDF**

²⁾ Standard equipment

→ Please see data sheet 09.1

Flow rates¹⁾

Tubing i.d. mm	ml per revolution	Tubing i.d. mm	ml per revolution
0.13	0.0011	1.14	0.078
0.19	0.0023	1.22	0.088
0.25	0.0041	1.30	0.098
0.38	0.0094	1.42	0.11
0.44	0.013	1.52	0.13
0.51	0.017	1.65	0.15
0.57	0.021	1.75	0.16
0.64	0.026	1.85	0.17
0.76	0.036	2.06	0.20
0.89	0.049	2.29	0.24
0.95	0.056	2.54	0.27
1.02	0.063	2.79	0.31
1.09	0.072	3.17	0.35

¹⁾ Water, Tygon® tubing, without differential pressure

→ Calculation example for flow rate
 rpm x ml per revolution = ml/min
 80 x 0.35 = 28

Ask for the ISMATEC® Pump Tubing Selection Guide.

Ordering information

Data sheet 02.2.8 30.09.05	Nominal voltage	Type MS/CA3-E/08/DC/. . .	100:1	60:1
		Revolutions per minute (rpm) max.	50	80
	12 V _{DC}		ISM 606	3EB 205
	24 V _{DC}		3EB 204	3EB 206