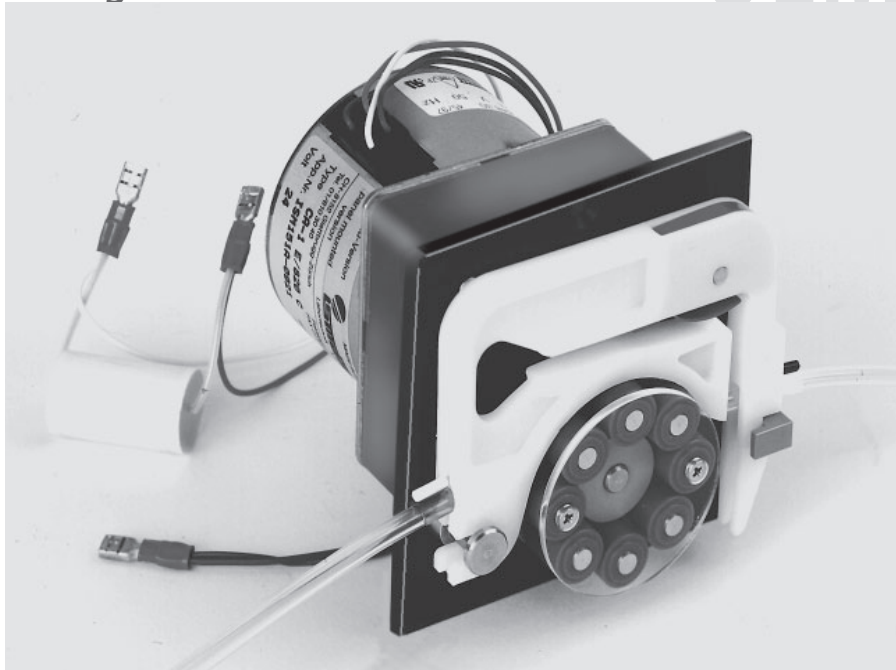
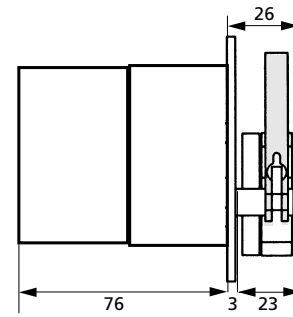


Synchronous motor with gear box

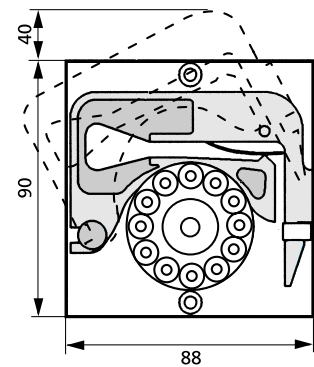
OEM



Side view (mm)



Front view (mm)



Mounting cut-out (mm)

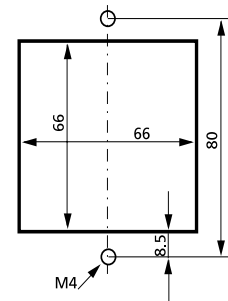
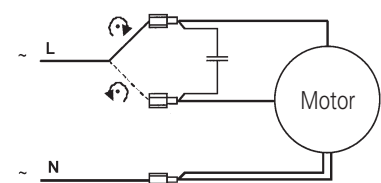


Diagram and electrical connections



The polarity of L and N has no effect on the rotation direction.

Technical specifications

Pump model	MS/CA1-E/08/Synchro
Motor type	Synchronous motor with reversible rotation
Rotation speed	fixed, available with: 6 8 10 12 20 40 60 (rpm)
Flow rates	0.007–21 ml/min
Power consumption	8 W
Channels	1
Pump rollers	8
Weight	0.890 kg
Tubing type	3-stop collared tubing
Tubing i.d.	0.13–3.17 mm
Cassettes	MS/CA Click'n'go, POM

Cassettes (Spare part / Option)
 IS 3510 MS/CA Click'n'go, **POM-C**²⁾
 IS 0649 MS/CA Pressure lever, **POM-C**
 IS 3629 MS/CA Pressure lever, **PVDF**

²⁾ Standard equipment
 ➔ Please see data sheet 09.1

Flow rates¹⁾

Tubing i.d. mm	ml per revolution	Tubing i.d. mm	ml per revolution
0.13	0.0011	1.14	0.078
0.19	0.0023	1.22	0.088
0.25	0.0041	1.30	0.098
0.38	0.0094	1.42	0.11
0.44	0.013	1.52	0.13
0.51	0.017	1.65	0.15
0.57	0.021	1.75	0.16
0.64	0.026	1.85	0.17
0.76	0.036	2.06	0.20
0.89	0.049	2.29	0.24
0.95	0.056	2.54	0.27
1.02	0.063	2.79	0.31
1.09	0.072	3.17	0.35

¹⁾ Water, Tygon® tubing, without differential pressure

➔ Calculation example for flow rate
 rpm x ml per revolution = ml/min
 60 x 0.35 = 21

Ask for the ISMATEC® Pump Tubing Selection Guide.

Ordering information

Voltage and frequency	Type MS/CA1-E/08/Synchro/. .							
	Revolutions per minute (rpm)	6	8	10	12	20	40	60
24 V _{AC} /50 Hz		ISM 706	1EB 020	1EB 021	ISM 289	ISM 151	ISM 153	ISM 155
24 V _{AC} /60 Hz		1EB 022	1EB 023	1EB 024	1EB 025	ISM 373	1EB 026	1EB 027
115 V _{AC} /50 Hz*								
115 V _{AC} /60 Hz		1EB 028	1EB 029	1EB 030	1EB 031	ISM 454	ISM 455	ISM 458
230 V _{AC} /50 Hz		ISM 702	1EB 032	1EB 033	1EB 034	ISM 145	ISM 147	ISM 149
230 V _{AC} /60 Hz*								

* on request