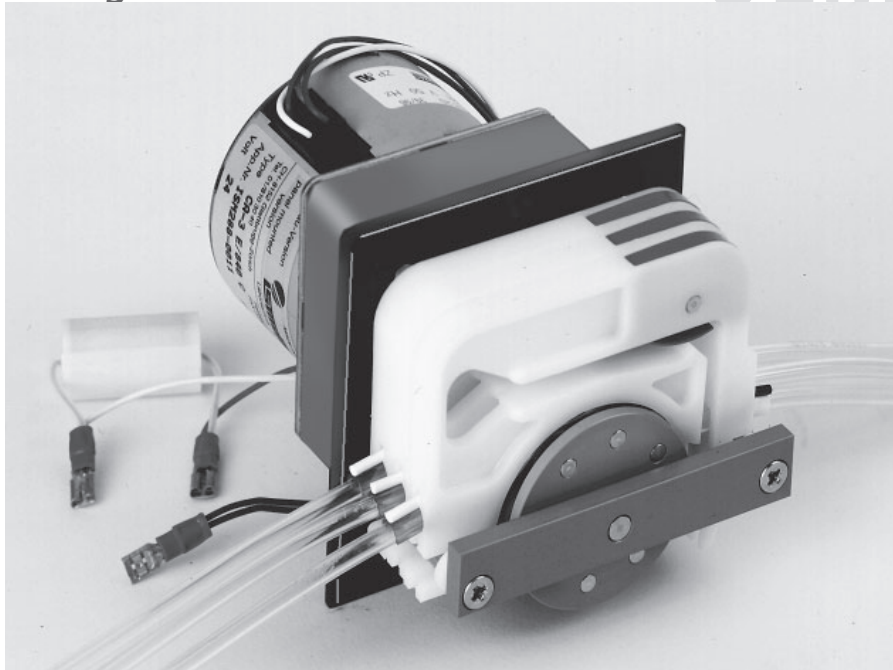
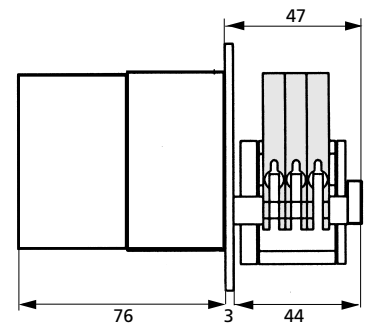


Synchronous motor with gear box

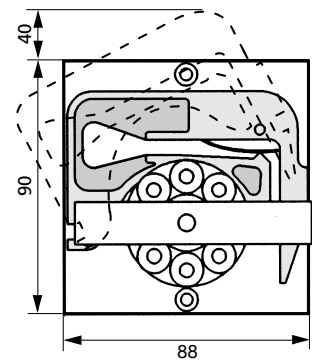
OEM



Side view (mm)



Front view (mm)



Mounting cut-out (mm)

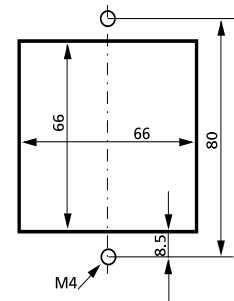
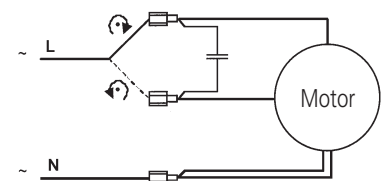


Diagram and electrical connections



The polarity of L and N has no effect on the rotation direction.

Technical specifications

Pump model	MS/CA3-E/08/Synchro
Motor type	Synchronous motor with reversible rotation
Rotation speed	fixed, available with: 6 8 10 12 20 40 60 (rpm)
Flow rates	0.007-21 ml/min
Power consumption	8 W
Channels	3
Pump rollers	8
Weight	1.040 kg
Tubing type	3-stop collared tubing
Tubing i.d.	0.13-3.17 mm
Cassettes	MS/CA Click'n'go, POM

Cassettes (Spare part / Option)
 IS 3510 MS/CA Click'n'go, **POM-C** ²⁾
 IS 0649 MS/CA Pressure lever, **POM-C**
 IS 3629 MS/CA Pressure lever, **PVDF**

²⁾ Standard equipment
 → Please see data sheet 09.1

Flow rates¹⁾

Tubing i.d. mm	ml per revolution	Tubing i.d. mm	ml per revolution
0.13	0.0011	1.14	0.078
0.19	0.0023	1.22	0.088
0.25	0.0041	1.30	0.098
0.38	0.0094	1.42	0.11
0.44	0.013	1.52	0.13
0.51	0.017	1.65	0.15
0.57	0.021	1.75	0.16
0.64	0.026	1.85	0.17
0.76	0.036	2.06	0.20
0.89	0.049	2.29	0.24
0.95	0.056	2.54	0.27
1.02	0.063	2.79	0.31
1.09	0.072	3.17	0.35

¹⁾ Water, Tygon® tubing, without differential pressure

→ Calculation example for flow rate
 rpm x ml per revolution = ml/min
 60 x 0.35 = 21

Ask for the ISMATEC® Pump Tubing Selection Guide.

Ordering information

Voltage and frequency	Type MS/CA3-E/08/Synchro/. .							
	Revolutions per minute (rpm)							
	6	8	10	12	20	40	60	
24 V _{AC} /50 Hz	ISM 274	3EB 028	3EB 029	3EB 030	ISM 414	ISM 288	3EB 031	
24 V _{AC} /60 Hz	3EB 032	3EB 033	3EB 034	3EB 035	3EB 036	3EB 037	3EB 038	
115 V _{AC} /50 Hz*								
115 V _{AC} /60 Hz	3EB 039	3EB 040	3EB 041	3EB 042	3EB 043	3EB 044	3EB 045	
230 V _{AC} /50 Hz	ISM 710	3EB 046	3EB 047	3EB 048	3EB 049	ISM 632	3EB 050	
230 V _{AC} /60 Hz*								

*on request