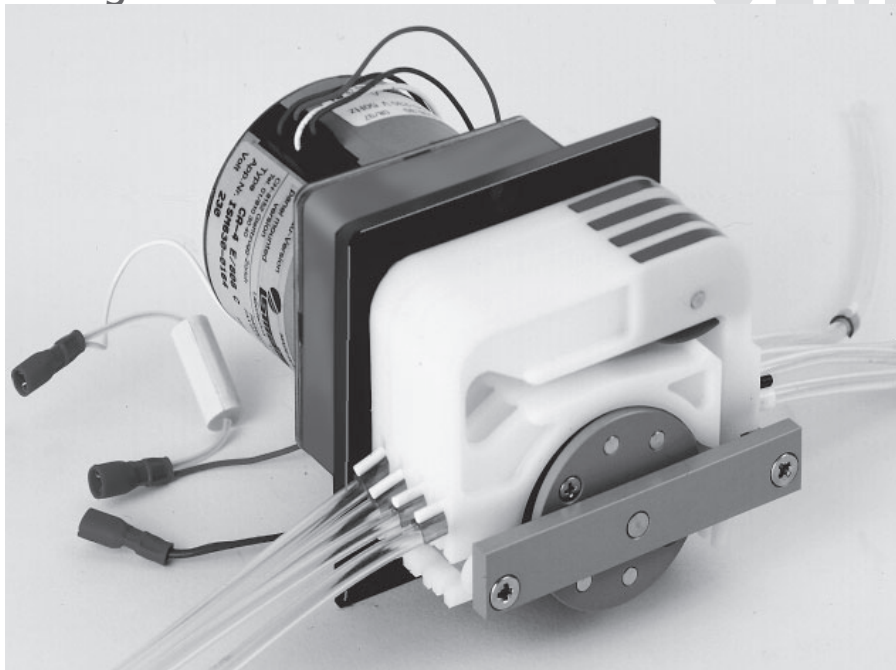
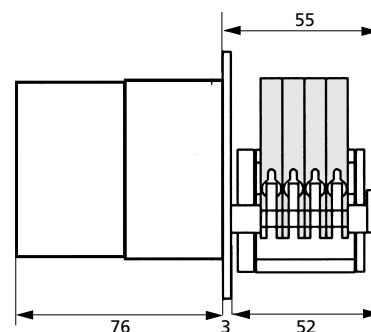


Synchronous motor with gear box

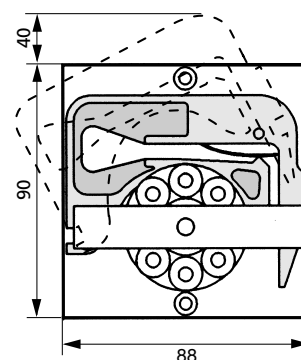
OEM



Side view (mm)



Front view (mm)



Mounting cut-out (mm)

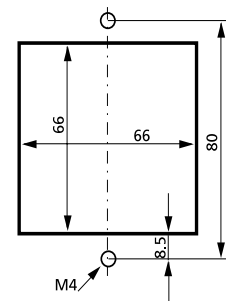
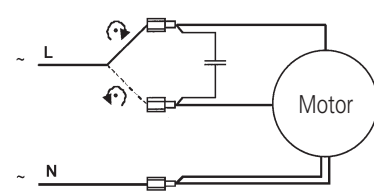


Diagram and electrical connections



The polarity of L and N has no effect on the rotation direction.

Technical specifications

Pump model	MS/CA4-E/08/Synchro
Motor type	Synchronous motor with reversible rotation
Rotation speed	fixed, available with: 6 8 10 12 20 40 60 (rpm)
Flow rates	0.007–21 ml/min
Power consumption	8 W
Channels	4
Pump rollers	8
Weight	1.080 kg
Tubing type	3-stop collared tubing
Tubing i.d.	0.13–3.17 mm
Cassettes	MS/CA Click'n'go, POM

Cassettes (Spare part / Option)

- IS 3510 MS/CA Click'n'go, **POM-C** ²⁾
- IS 0649 MS/CA Pressure lever, **POM-C**
- IS 3629 MS/CA Pressure lever, **PVDF**

²⁾ Standard equipment

➔ Please see data sheet 09.1

Flow rates¹⁾

Tubing i.d. mm	ml per revolution	Tubing i.d. mm	ml per revolution
0.13	0.0011	1.14	0.078
0.19	0.0023	1.22	0.088
0.25	0.0041	1.30	0.098
0.38	0.0094	1.42	0.11
0.44	0.013	1.52	0.13
0.51	0.017	1.65	0.15
0.57	0.021	1.75	0.16
0.64	0.026	1.85	0.17
0.76	0.036	2.06	0.20
0.89	0.049	2.29	0.24
0.95	0.056	2.54	0.27
1.02	0.063	2.79	0.31
1.09	0.072	3.17	0.35

¹⁾ Water, Tygon® tubing, without differential pressure

➔ Calculation example for flow rate
rpm x ml per revolution = ml/min
60 x 0.35 = 21

Ask for the ISMATEC® Pump Tubing Selection Guide.

Ordering information

Voltage and frequency	Type MS/CA4-E/08/Synchro/. .							
	Revolutions per minute (rpm)							
	6	8	10	12	20	40	60	
24 V _{AC} /50 Hz	ISM 456	4EB 017	ISM 731	ISM 639	ISM 407	ISM 425	4EB 018	
24 V _{AC} /60 Hz	4EB 019	4EB 020	ISM 747	4EB 021	ISM 406	ISM 427	4EB 022	
115 V _{AC} /50 Hz*			ISM 609					
115 V _{AC} /60 Hz	4EB 023	ISM 635	4EB 024	4EB 025	ISM 439	ISM 441	ISM 445	
230 V _{AC} /50 Hz	ISM 131	ISM 630	ISM 715	4EB 026	ISM 307	ISM 424	ISM 433	
230 V _{AC} /60 Hz*		ISM 638						

*on request

Data sheet

02.1.11

30.09.05