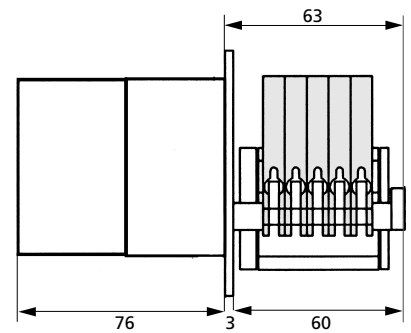


Synchronous motor with gear box

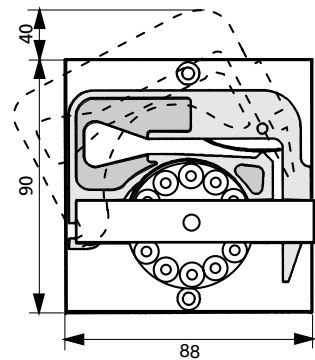
OEM



Side view (mm)



Front view (mm)



Mounting cut-out (mm)

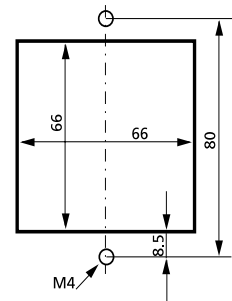
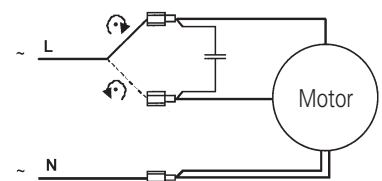


Diagram and electrical connections



The polarity of L and N has no effect on the rotation direction.

Technical specifications

Pump model	MS/CA5-E/12/Synchro
Motor type	Synchronous motor with reversible rotation
Rotation speed	fixed, available with: 6 8 10 12 20 40 (rpm)
Flow rates	0.006–4.8 ml/min
Power consumption	8 W
Channels	5
Pump rollers	12
Weight	1.150 kg
Tubing type	3-stop collared tubing
Tubing i.d.	0.13–3.17 mm
Cassettes	MS/CA Click'n'go, POM

Cassettes (Spare part / Option)

- IS 3510 MS/CA Click'n'go, **POM-C**²⁾
- IS 0649 MS/CA Pressure lever, **POM-C**
- IS 3629 MS/CA Pressure lever, **PVDF**

²⁾ Standard equipment

➔ Please see data sheet 09.1

Flow rates¹⁾

Tubing i.d. mm	ml per revolution	Tubing i.d. mm	ml per revolution
0.13	0.00093	1.14	0.067
0.19	0.0021	1.22	0.075
0.25	0.0038	1.30	0.083
0.38	0.0088	1.42	0.094
0.44	0.012	1.52	0.10
0.51	0.016	1.65	0.12
0.57	0.019	1.75	0.13
0.64	0.024	1.85	0.13
0.76	0.033	2.06	0.15
0.89	0.044	2.29	0.17
0.95	0.050	2.54	0.19
1.02	0.056	2.79	0.21
1.09	0.063	3.17	0.24

¹⁾ Water, Tygon® tubing, without differential pressure

➔ Calculation example for flow rate
rpm x ml per revolution = ml/min
40 x 0.24 = 9.6

Ask for the ISMATEC® Pump Tubing Selection Guide.

Ordering information

Voltage and frequency	Type MS/CA5-E/12/Synchro/. .						
	Revolutions per minute (rpm)						
	6	8	10	12	20	40	
24 V _{AC} /50 Hz	5EB 045	5EB 046	5EB 047	5EB 048	5EB 049	5EB 050	
24 V _{AC} /60 Hz	5EB 052	5EB 053	5EB 054	5EB 055	5EB 056	5EB 057	
115 V _{AC} /50 Hz*							
115 V _{AC} /60 Hz	5EB 059	5EB 060	5EB 061	5EB 062	5EB 063	5EB 064	
230 V _{AC} /50 Hz	5EB 066	5EB 067	5EB 068	5EB 069	5EB 070	5EB 071	
230 V _{AC} /60 Hz*							

*on request