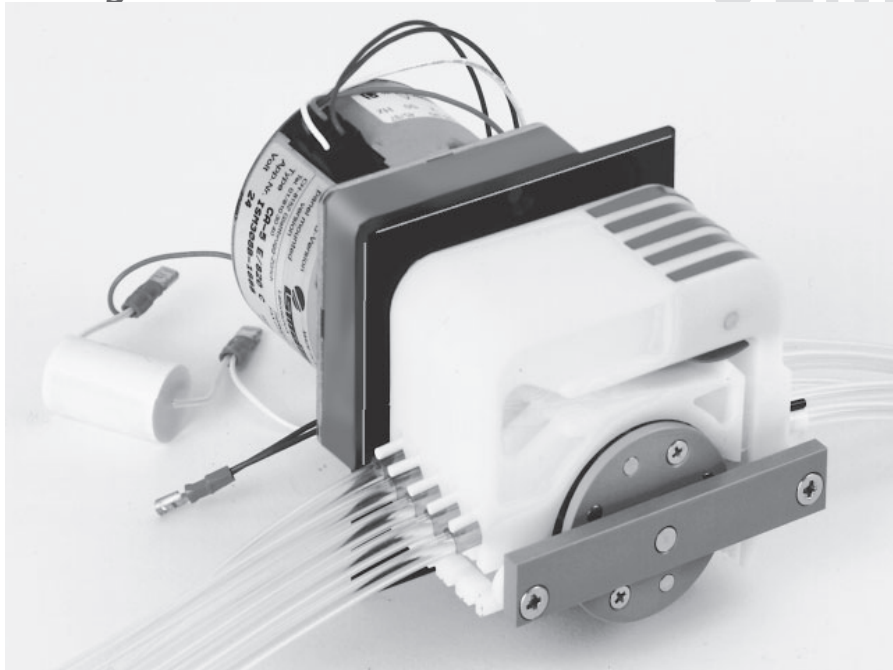
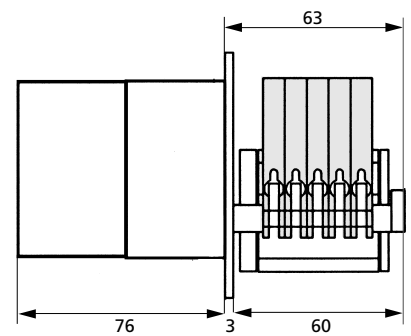


Synchronous motor with gear box

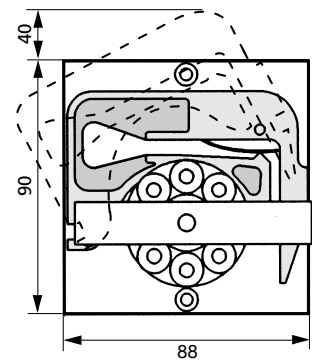
OEM



Side view (mm)



Front view (mm)



Mounting cut-out (mm)

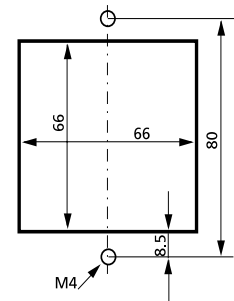
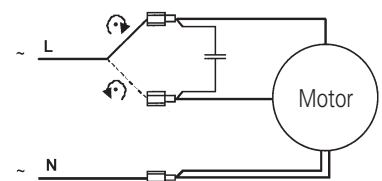


Diagram and electrical connections



The polarity of L and N has no effect on the rotation direction.

Technical specifications

Pump model	MS/CA5-E/08/Synchro
Motor type	Synchronous motor with reversible rotation
Rotation speed	fixed, available with: 6 8 10 12 20 40 (rpm)
Flow rates	0.007–14 ml/min
Power consumption	8 W
Channels	5
Pump rollers	8
Weight	1.150 kg
Tubing type	3-stop collared tubing
Tubing i.d.	0.13–3.17 mm
Cassettes	MS/CA Click'n'go, POM

Cassettes (Spare part / Option)
 IS 3510 MS/CA Click'n'go, **POM-C** ²⁾
 IS 0649 MS/CA Pressure lever, **POM-C**
 IS 3629 MS/CA Pressure lever, **PVDF**

²⁾ Standard equipment
 ➔ Please see data sheet 09.1

Flow rates¹⁾

Tubing i.d. mm	ml per revolution	Tubing i.d. mm	ml per revolution
0.13	0.0011	1.14	0.078
0.19	0.0023	1.22	0.088
0.25	0.0041	1.30	0.098
0.38	0.0094	1.42	0.11
0.44	0.013	1.52	0.13
0.51	0.017	1.65	0.15
0.57	0.021	1.75	0.16
0.64	0.026	1.85	0.17
0.76	0.036	2.06	0.20
0.89	0.049	2.29	0.24
0.95	0.056	2.54	0.27
1.02	0.063	2.79	0.31
1.09	0.072	3.17	0.35

¹⁾ Water, Tygon® tubing, without differential pressure

➔ Calculation example for flow rate
 rpm x ml per revolution = ml/min
 40 x 0.35 = 14

Ask for the ISMATEC® Pump Tubing Selection Guide.

Ordering information

Voltage and frequency	Type MS/CA5-E/08/Synchro/. .						
	Revolutions per minute (rpm)						
	6	8	10	12	20	40	
24 V _{AC} /50 Hz	5EB 024	5EB 025	ISM 705	5EB 026	ISM 308	ISM 443	
24 V _{AC} /60 Hz	5EB 028	5EB 029	ISM 794	5EB 030	ISM 402	5EB 031	
115 V _{AC} /50 Hz*							
115 V _{AC} /60 Hz	5EB 033	5EB 034	5EB 035	5EB 036	ISM 442	5EB 037	
230 V _{AC} /50 Hz	5EB 039	5EB 040	5EB 041	5EB 042	ISM 431	5EB 043	
230 V _{AC} /60 Hz*							

*on request