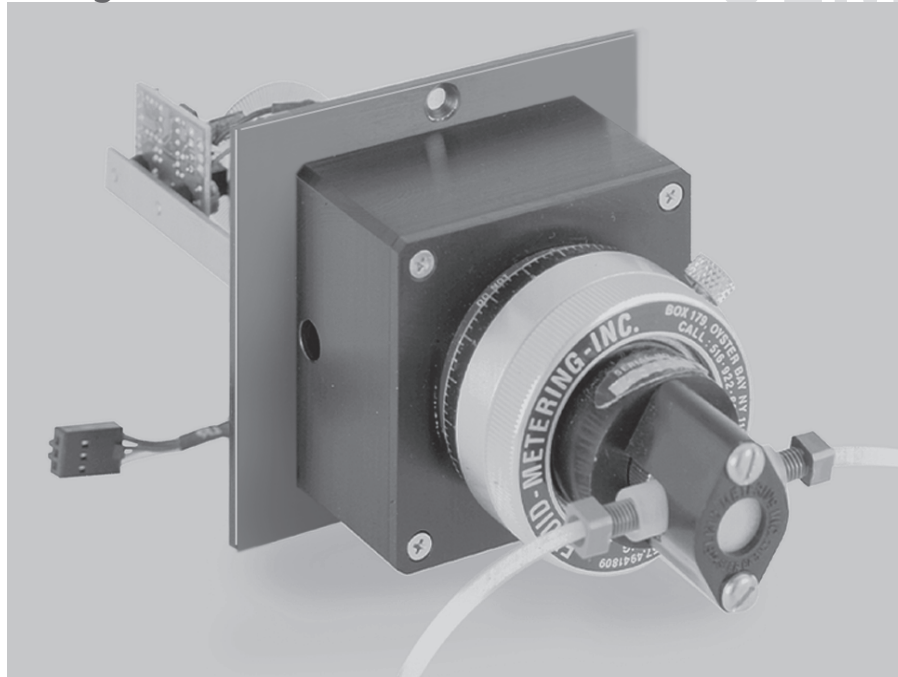
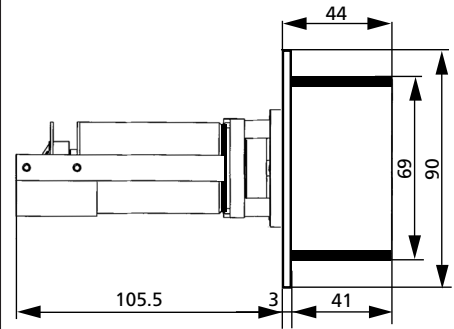


DC motor with optical encoder and gear box

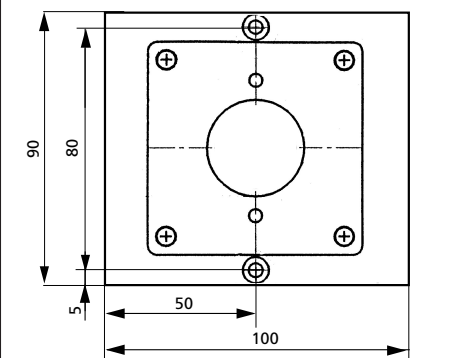
OEM



Side view (mm)



Front view (mm)



Mounting cut-out (mm)

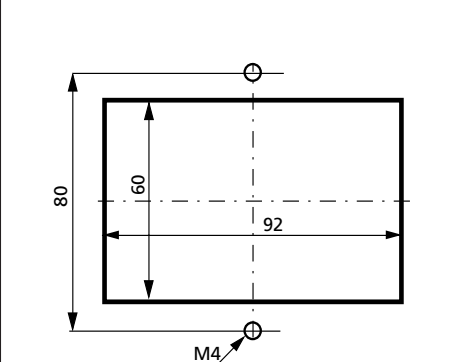
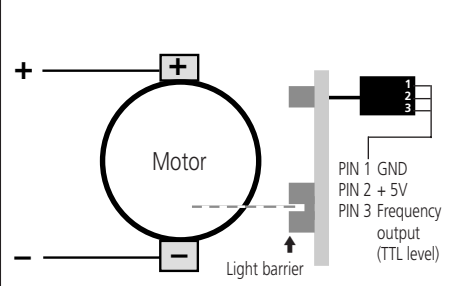


Diagram and electrical connections



Technical specifications

Pump model	REGLO-E CPF
Motor type	DC motor with encoder
Gear ratio	2.5:1
Rotation speed*	40–1800 rpm
Flow rates*	0.1–180 ml/min
Motor control*	optional control unit
Power consumption	max. 35 W
Optical encoder	120 impulses/motor rev.
Channels	1
Stroke volume	25, 50 or 100 µl

* see 'Please note'

Pump-heads

Piston pump-head	Stroke ¹⁾ µl per revolution	Piston material	Cylinder material
RH00.CKC-LF	2.5– 25	Ceramic	Ceramic
RH00.SKY-LF	2.5– 25	Steel	Carbon
RH0.CKC	5– 50	Ceramic	Ceramic
RH1.CKC	10–100	Ceramic	Ceramic

1) Recommended range for best reproducibility; smaller stroke settings are possible.

LF = incl. Low Flow Kit with UNF 1/4" -28 connector (female)

Differential pressure max. 6.9 bar

Flow rates

→ Calculation example for flow rate
 rpm x stroke (ml) = ml/min
 1800 x 0.025 = 45

* Please note

Specifications valid for following ISMATEC® control unit:

REGLO-E CPF Digital - see data sheet 08.9

Ordering information

Nominal voltage	Type REGLO-E CPF	Order No.
12 V _{DC}		IS 3911

Data sheet

06.1
30.09.05