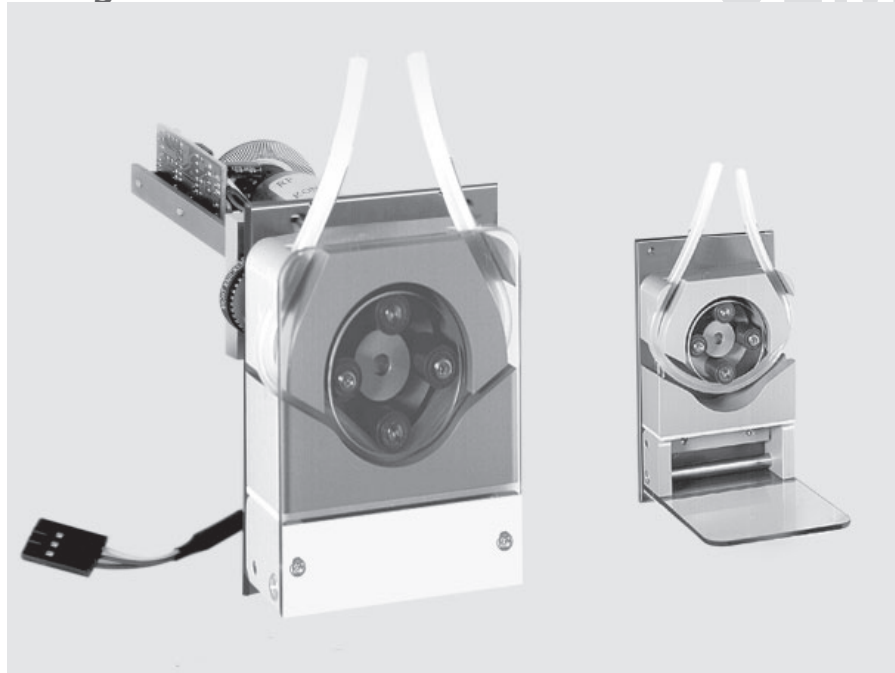
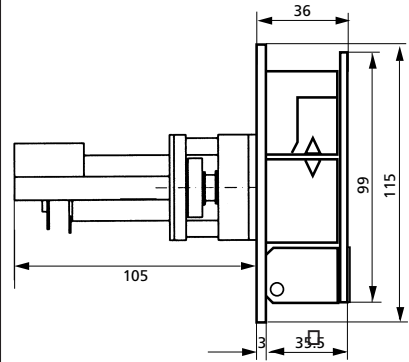


DC motor with optical encoder and gear box

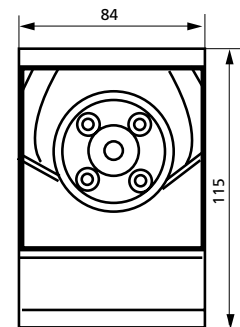
OEM



Side view (mm)



Front view (mm)



Mounting cut-out (mm)

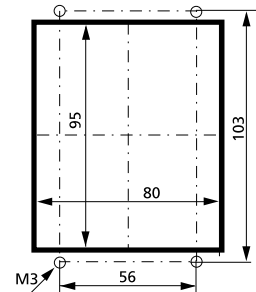
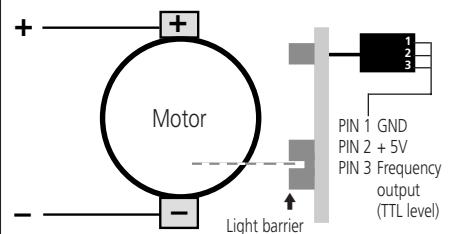


Diagram and electrical connections



*** Please note**

Specifications valid for the following ISMATEC® control unit:
REGLO-E Analog - see data sheet 08.1

Technical specifications

Pump model	REGLO-E Quick
Motor type	DC motor with encoder
Gear ratio	25:1
Rotation speed*	3.2–160 rpm
Flow rates*	2.1–230 ml/min
Motor control*	optional control unit
Power consumption max.	10 W
Optical encoder	120 impulses/motor rev.
Channels	1
Pump rollers	4
Weight	0.710 kg
Tubing type	Standard tubing
Tubing WT	1.6
Option:	Door switch with safety cutout

Flow rates¹⁾

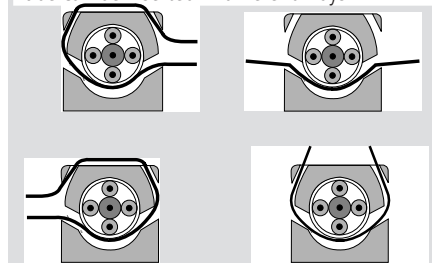
ml/min		Standard tubing	
min.	max.	WT mm	i.d. mm
2.1	103	1.6	3.2
4.6	230	1.6	4.8

¹⁾ Water, Tygon® tubing, without differential pressure

Ask for the ISMATEC® Pump Tubing Selection Guide.

Tube-bed:
Easily accessible tube-bed with a wide opening transparent protection cover.

Tube can be inserted in different ways:



Ordering information

Nominal voltage	Type REGLO-E Quick	Order No.
12 V _{DC}		ISM 908
24 V _{DC}		ISM 917
12 V _{DC}	Door switch with safety cutout	ISM 1096

Data sheet
02.3.1
30.09.05